



DIECI
AUSTRALIA

MINI AGRI | 25.6



THE MINI AGRI UNIQUELY PRODUCTIVE

The characteristics of Dieci products can be summarised in three concepts that have always been the hallmark of each vehicle: **technology, reliability and durability.**

We work every day to evolve our machines, adopting the best solutions based on research, advice and experiences with our customers. Offering a range of telehandlers designed to suit Australia's diverse agricultural environments.

The Mini Agri is designed to meet the needs of "small works" due its compact size, allowing it to fit into tight and difficult spaces. The high strength of the boom makes it possible to handle loads at great heights.

Great power, excellent handling, precision movement control, sound proofing for absolute comfort, as well as the intelligently designed control layout, makes the Mini Agri simple, intuitive and comfortable to use.

The Mini Agri can be fitted with a full range of accessories, making it an **incredibly versatile** machine.

ABSOLUTE COMFORT: ITALIAN DESIGN AND STYLE

Dieci telehandlers have always been a combination of **comfort and functionality** which makes us stand out all over the world.

Top Level Performance

Astonishing performance, thanks to the boom which achieves the perfect balance between size and strength. Incredibly responsive when working with a shovel, totally free of any uncontrolled movement thanks to the central position of the boom.

Unparalleled Manoeuvrability

One of the most agile Dieci telehandlers still retains the high standards of comfort and versatility of the entire range. The high efficiency steering system ensures that even under high load conditions the steering always feels light and responsive.

Easy Ride System

Developed by Dieci, the sophisticated air suspension system installed on the boom (optional), drastically reduces oscillation when travelling over rough terrain.

4-in-1 Joystick

The boom can be fully operated by the hydraulic control distributor-single joystick which also incorporates FNR, for easier and more practical direction control.

Maximum Safety

ROPS - FOPS approved cab, designed with safety cell to prevent deformation in the event of the vehicle being overturned or a heavy load falling on the cab. Dieci Telehandlers comply with AS1418.19 / 10896.1.

Deadman sensor, combined with the operator presence sensor in the seat, prevents accidental operation.

The **Load Limiter Device** analyses vehicle stability in real time and inhibits any aggravating movements when the pre-set safety limits are reached.



5.78m

Max Reach

2500kg

Max Capacity

55.4kW / 74hp

Fork Swivelling Angle (129° dump rotation)

Is specially designed to increase the operating arc, which is particularly useful when dumping with the boom raised.

Single Compensation Cylinder

Patented by Dieci - is located inside the lifting ram, ensures that the load on the boom is balanced at all times, thereby improving durability.

Inching Pedal

An essential control that allows travel speed to momentarily slow down or come to a stop while still offering maximum power to boom functions to increase precision and productivity for delicate operations.

Comfort & Ease of Access

Spacious cab designed for operator comfort and ergonomics. Compact design for access into confined areas, adjustable steering wheel (height and depth), air suspension seat and storage compartments.

Sturdy Chassis

Ergonomically designed cab with innovative DSCS door made from composite material with high thermal and acoustic insulation properties for improved operator comfort.

Total Visibility

The large, curved windows of the cab offer a complete 360° outside view with uninterrupted visibility.

Perfect Climate

Semi automatic air conditioning system with 6 outlet vents allows perfect air circulation inside the cabin and openable rear glass and roof.

80L Hydraulic Flow Rate

The 80lpm hydraulic flow maximises manoeuvrability in all applications.



TECHNICAL DATA

PERFORMANCE

Machine model	MINI AGRI 25.6
Maximum capacity	2,500 kg (5512 lb)
Maximum lifting height on wheels	5.78 m (19 ft)
Maximum horizontal extension on wheels	3.25 m (10.7 ft)
Fork swiveling angle	129°
Pull-out force	7600 daN (17085 lbf)
Towing force	4400 daN (9892 lbf)
Maximum climb angle	40%
Unladen weight	5100 kg (11244 lb)
Max speed	30 km/h (18.6 mph)

ENGINE

Brand	Kubota
Nominal power	55.4 kW (74 HP)
@rpm	2600 rpm
Operation	4-stroke
Injection	Mechanical
Number and arrangement of cylinders	4, Vertical in line
Displacement	3331 cm ³ (230 in ³)
Emission standards	Stage IIIA/Tier 3
Cooling system	Liquid
Intake	Turbo compressor

HYDRAULIC SYSTEM

Hydraulic pump type	Gear pump for power steering and movements
Hydraulic pump capacity	80 L/min
Max. operating pressure	23.0 MPa (3553 psi)
Distributor control	4in1 proportional Joystick

TRANSMISSION

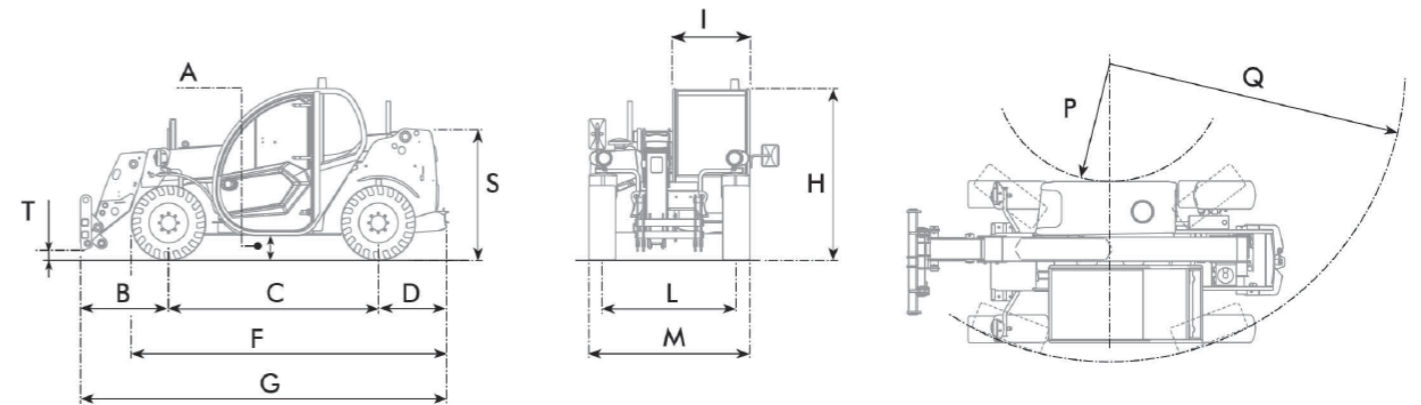
Transmission type	Single speed hydrostatic transmission with variable displacement pump
Hydraulic motor	Hydrostatic with continuous automatic adjustment
Reversal	Electro-Hydraulic
Inching	With hydraulic pedal for controlled forward movement

TYRES

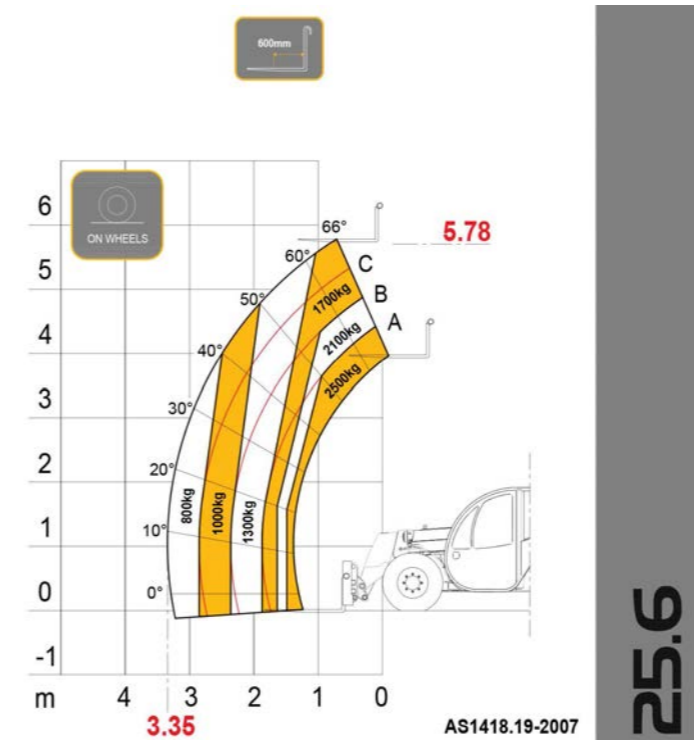
Standard tyres	12x16.5"
----------------	----------

DIMENSIONS

Machine model	MINI AGRI 25.6
A	270 mm (10.6 in)
B	985 mm (38.8 in)
C	2350 mm (92.5 in)
D	765 mm (30.1 in)
F	3535 mm (139.2 in)
G	4125 mm (162.4 in)
H	1950 mm (76.8 in)
I	1850 mm (72.8 in)
L	1500 mm (59.1 in)
M	1850 mm (72.8 in)
P	1460 mm (57.5 in)
Q	3555 mm (140 in)
S	1433 mm (56.4 in)
T	200 mm (7.9 in)



LOAD CHARTS





Distributed by Dieci Australia and their network of authorised dealers.

Unit 1/5 Melito Court, Prestons NSW 2170
www.dieciaustralia.com.au | info@dieciaustralia.com.au
Tel. 1300 888 479

Illustrations and photos are for illustrative purposes only. They show the standard international models and may or may not include optional equipment, accessories, customer installed or modified parts, optional parts and all standard equipment with some differences in colour and features. Machine specifications are subject to change without notice and additional load charts and machine or attachment specifications may be available on request. Please refer to the operators manual for correct machine and attachment operation.

Printed in Australia SKT Mini Agri August 2021

