

DIECI
AUSTRALIA

COTTON PRO | 70.10





COTTON PRO AN AUSTRALIAN COTTON PRODUCER'S DREAM

The characteristics of Dieci products can be summarised in three concepts that have always been the hallmark of each vehicle: **technology**, **reliability** and **durability**.

We work every day to evolve our machines, adopting the best solutions based on research, advice and customer experience. Offering a range of telehandlers designed to suit Australia's diverse agricultural environments.

The Cotton Pro is a top-quality telehandler, categorised by its load capacity. Ideal for work environments where there is a need to handle large volumes and reduce work cycles. Maintenance is made easy thanks to durable components and materials that require replacement after several hundred hours of use.

Precision movements, manoeuvrability, maximum power at the wheels and boom, sound proofing, as well as the intelligently designed control layout, makes the Agri Max simple, intuitive and comfortable to use.

The Cotton Pro can be fitted with a full range of accessories, making it an incredibly versatile machine.

ABSOLUTE COMFORT: MADE IN ITALY, DESIGNED FOR AUSTRALIA

Dieci telehandlers have always been a combination of **comfort** and **functionality** which makes us stand out all over the world.

4-in-1 Joystick

The boom can be fully operated by the hydraulic control distributor-single joystick which also incorporates FNR, for easier and more practical direction control.

Advanced Cooling

Equipped with a cooling system designed to shield the inter cooler from cotton, debris and dust, along with heat shields around the exhaust pipes to reduce the risk of overheating or fire hazard. The radiator is also mounted to the rear of the machine behind the cab.

Easy Ride System

Developed by Dieci, the sophisticated air suspension system installed on the boom (optional), drastically reduces oscillation when travelling over rough terrain.

Hydrostatic Transmission

Guarantees power, reactivity and control in manoeuvres, while a single control unit measures the optimal working parameters through in-depth diagnostics, displaying them in real time.

Maximum Safety

ROPS - FOPS approved cab, designed with safety cell to prevent deformation in the event of the vehicle being overturned or a heavy load falling on the cab. Dieci Telehandlers comply with AS1418.19 / 10896.1.

Deadman sensor, combined with the operator presence sensor in the seat, prevents accidental operation.

The Load Limiter Device analyses vehicle stability in real time and inhibits any aggravating movements when the pre-set safety limits are reached.



9.65m

Max Reach

7000kg

Max Capacity

93 kW / 125hp



Attachment Holding Plate

Counter-lever articulation for a greater tilting angle.

Advanced Telescopic Boom

Reinforced boom is made of high resistance steel with Load Sensing - Flow Sharing Distributors that offer simultaneous movements for more efficient work.

Compensation Cylinder

Patented by Dieci - is located inside the lifting ram, ensures that the load on the boom is balanced at all times, thereby improving durability.

Perfect Climate

Semi automatic air conditioning system with 6 outlet vents allows perfect air circulation inside the cabin, openable rear glass and roof and integrated electric driver's window.

130L Hydraulic Flow Rate

The 130lpm hydraulic flow maximises manoeuvrability in all applications.

Comfort & Ease of Access

Spacious cab designed for operator comfort and ergonomics, adjustable steering wheel (height and depth), air suspension seat and storage compartments.

Panoramic Views

The large, curved windows of the cab offer a complete 360° outside view with uninterrupted visibility.

Side Shift Carriage

Equipped with side shift on the boom that allows you to shift the carriage from side to side to tightly pack loads.

Reversible Fan

The engine cooling system utilises a reversible fan to blow any dust and fibres away from the radiator.

Inching Pedal

An essential control that allows travel speed to momentarily slow down or come to a stop while still offering maximum power to boom functions to increase precision & productivity for delicate operations.

TECHNICAL DATA

PERFORMANCE

Machine model	COTTON PRO 70.10
Maximum capacity	7,000 kg (15432 lb)
Maximum lifting height on wheels	9.65 m (31.2 ft)
Maximum horizontal extension on wheels	5.40 m (17.7 ft)
Fork swiveling angle	134°
Pull-out force	5700 daN (12814 lbf)
Towing force	7300 daN (16411 lbf)
Maximum climb angle	40%
Unladen weight	12100 kg (26676 lb)
Max speed	Travel speed up to 40 km/h with 2 speed gearbox

ENGINE

Brand	FPT
Nominal power	93 kW (125 HP)
@rpm	2200 rpm
Operation	4-stroke
Injection	Mechanical
Number and arrangement of cylinders	4, Vertical in line
Displacement	4485 cm ³ (274 in ³)
Consumption	230 g/kWh (378.35 lb/Hp h)
@rpm	2200 rpm
Emission standards	Stage IIIA/Tier 3
Cooling system	Liquid
Intake	Turbo compressor after-cooler

HYDRAULIC SYSTEM

Hydraulic pump type	Gear pump for power steering and movements
Hydraulic pump capacity	130 L/min
Max. operating pressure	26.0 MPa (3553 psi)
Distributor control	4in1 proportional Joystick

TRANSMISSION

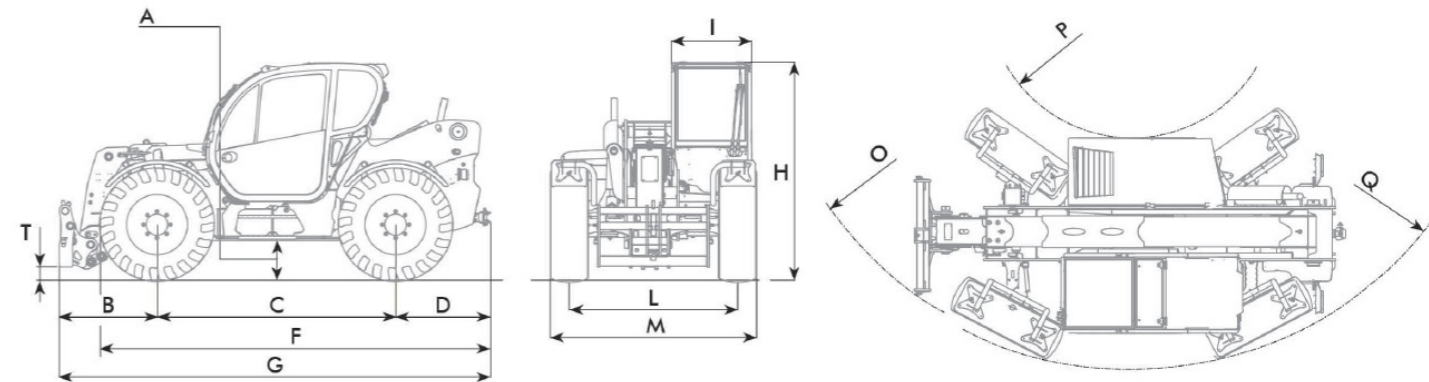
Transmission type	Hydrostatic with variable displacement pump
Hydraulic motor	Hydrostatic with continuous automatic adjustment
Reversal	Electro-Hydraulic
Inching	With inching pedal for controlled forward movement
Transmission gearbox	Servocontrolled 2-speed

TYRES

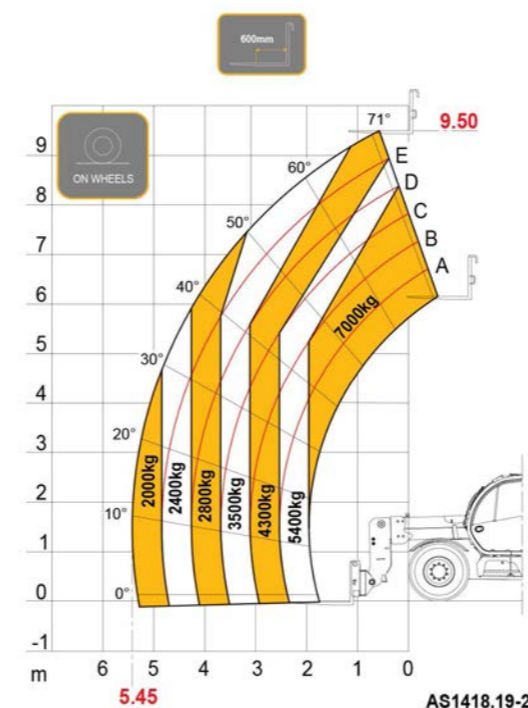
Standard tyres	445/65 R22.5
----------------	--------------

DIMENSIONS

Machine model	COTTON PRO 70.10
A	440 mm (17.3 in)
B	1480 mm (58.3 in)
C	2950 mm (116.1 in)
D	1330 mm (52.4 in)
F	4820 mm (189.8 in)
G	5910 mm (232.7 in)
H	2940 mm (116.1 in)
I	940 mm (37 in)
L	1920 mm (75.6 in)
M	2380 mm (93.7 in)
O	4730 mm (186.2 in)
P	1700 mm (66.9 in)
Q	4400 mm (173.2 in)
T	100 mm (3.9 in)



LOAD CHARTS



AS1418.19-2007

70.10



Distributed by Dieci Australia and their network of authorised dealers.

Unit 1/5 Melito Court, Prestons NSW 2170
www.dieciaustralia.com.au | info@dieciaustralia.com.au
Tel. 1300 888 479

Illustrations and photos are for illustrative purposes only. They show the standard international models and may or may not include optional equipment, accessories, customer installed or modified parts, optional parts and all standard equipment with some differences in colour and features. Machine specifications are subject to change without notice and additional load charts and machine or attachment specifications may be available on request. Please refer to the operators manual for correct machine and attachment operation.

Printed in Australia SKT Cotton Pro 70.10 August 2021

